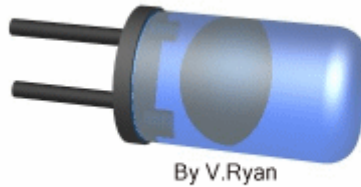


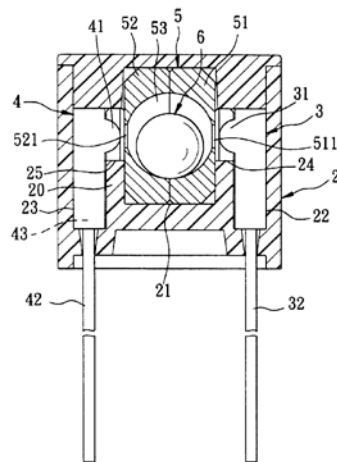
Tilt and Vibration Switches

Tilt switch



Tilt switches contain a conductive liquid and when tilted this bridges the contacts inside, closing the switch. They can be used as a sensor to detect the position of an object. Some tilt switches contain mercury which is poisonous, therefore great care must be taken when being disposed.

Vibration Switches



Motion sensors are very similar in design to tilt switches; in fact, some tilt switches are used as motion sensors. The sensor will be in one condition (open or closed) at rest. When it is subjected to motion it will continually change state as long as it remains in motion. Some common applications include: anti-theft devices, man-down alarms to detect non motion, smart appliances to turn off power when not in use and portable equipment to do the same.