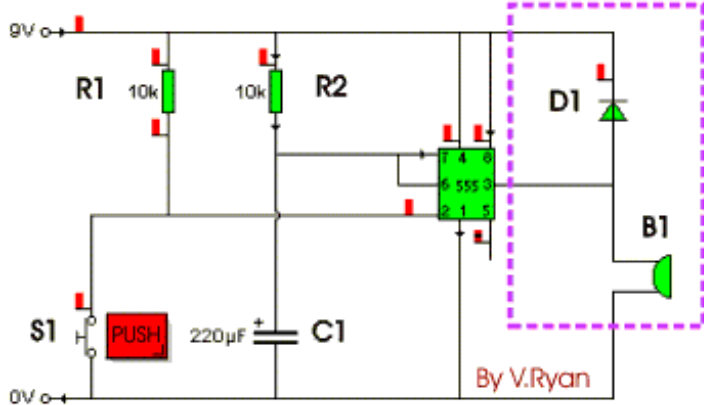
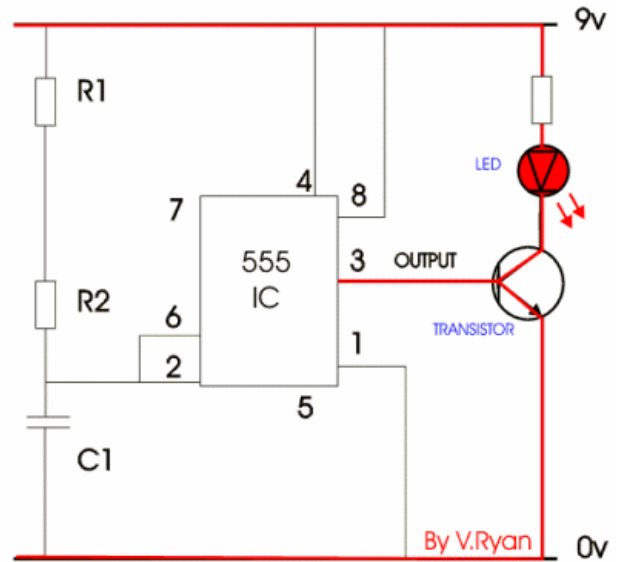


The 555 IC is used to produce an **ASTABLE** circuit - it will continually pulse until power is removed. Astable circuits can be used to flash lights/LEDs on and off or to turn a buzzer on and off repeatedly. They are also used in many more school based circuits



Monostable means that once the circuit is switched on it will time once and then stop. In order to start it again it must be switched on manually a second time